

02 SAMPLE

FOYER CABINETS

THIS DRAWING IS A DESIGN CONCEPT
FOR APPROVAL



IMAGES
© WESTHAVEN CN



ART PROJECT

13728 Kendale Lakes Dr
www.aquartproject.com

**PROGRESS DRAWING
FOR APPROVAL**



CONTACT DESIGN TEAM

ISSUE
12/ 20/ 2022
RE - ISSUE
06/27/2023

SAMPLE

02
UUU
E1 33000

OWNER

CN

PAGE NAME

COVER PAGE

DESIGN BY

A. Quintero

DRAWN BY

A. Quintero

DESIGN CONCEPT

**ALL MEASUREMENTS
MUST BE
VERIFIED IN FIELD**

DISCARD ALL DRAWINGS THAT
WERE MADE ON THIS ITEM PRIOR
TO THE DATE BELOW:

06/27/2023

This drawing is not intended to be used
for contract pricing or fabrication
purposes.
All content is subject to change

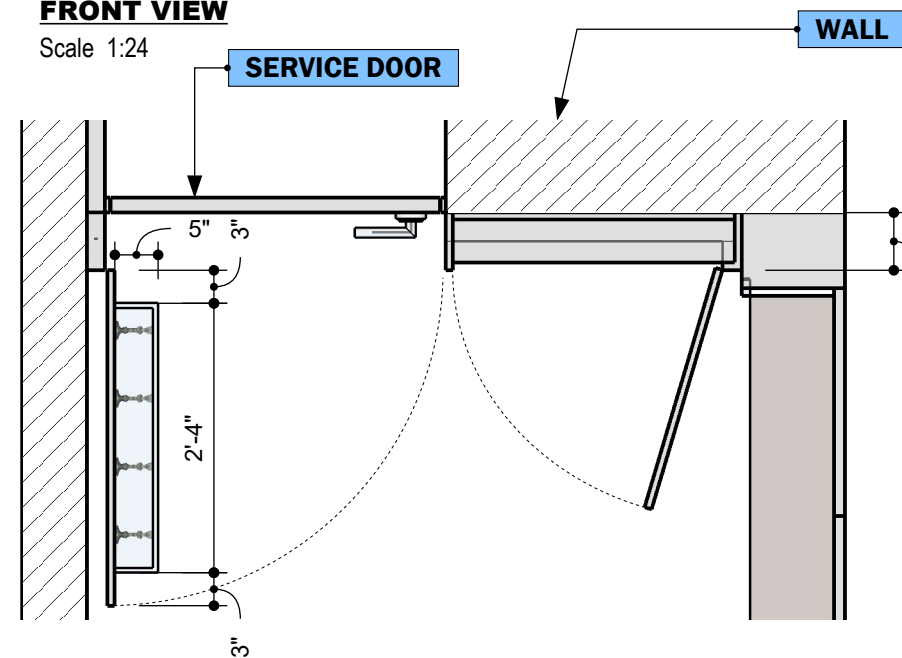
A-

FOYER CABINETS



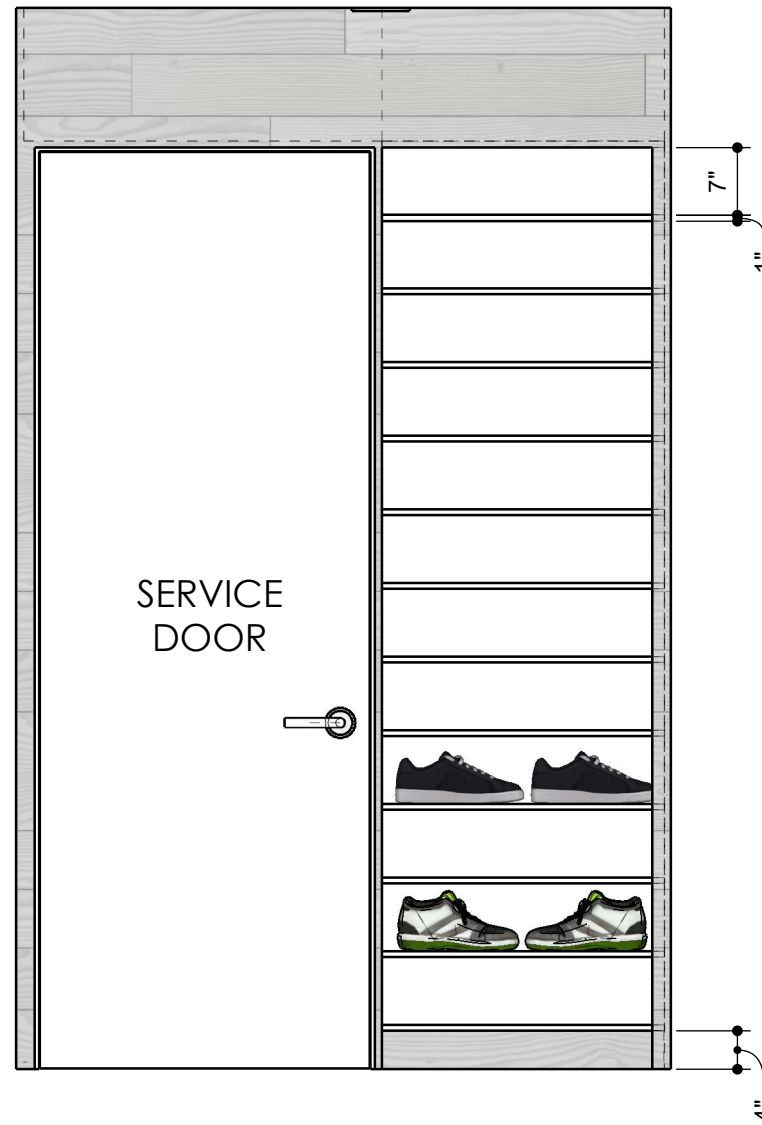
FRONT VIEW

Scale 1:24



TOP VIEW

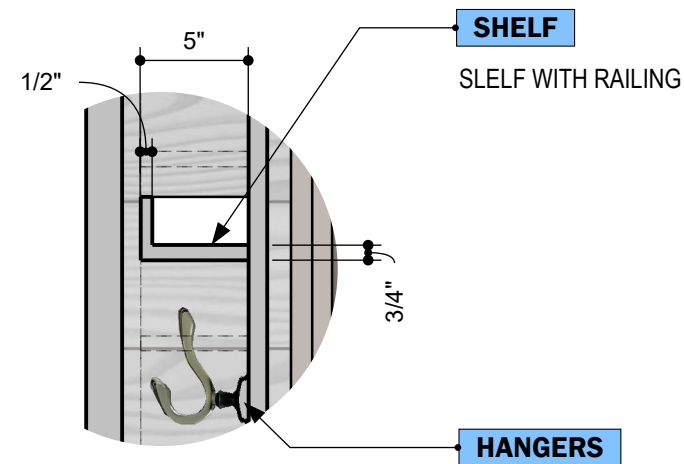
Scale 1:24



SERVICE DOOR

FRONT VIEW (NO DOORS)

Scale 1:24

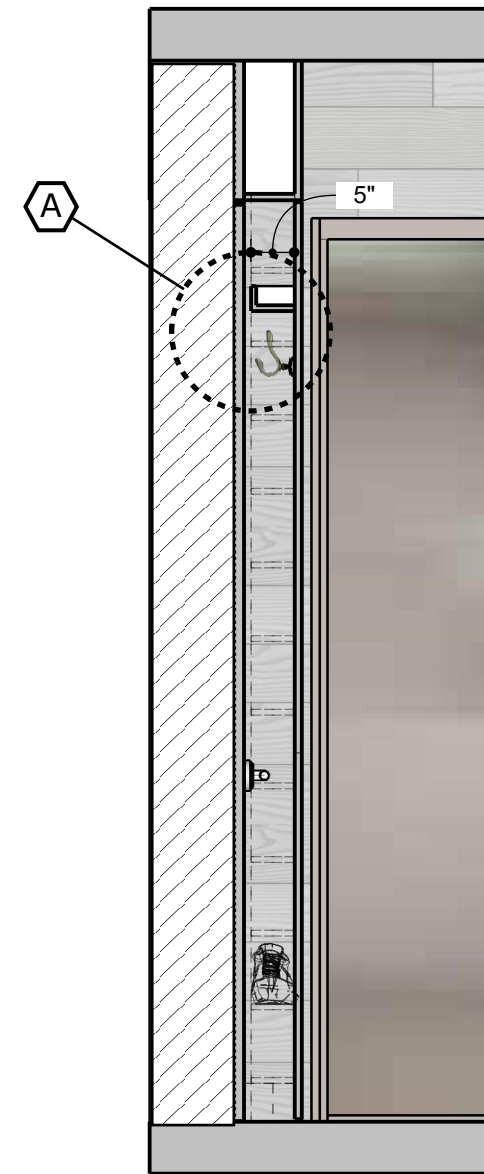


DETAIL A

Scale 1:00

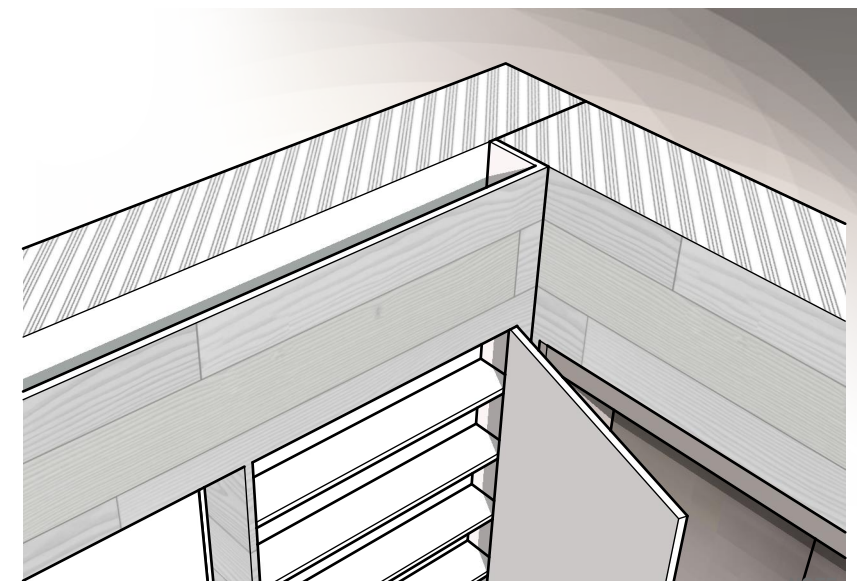
PERSPECTIVE VIEW

Not Scaled



SIDE VIEW

Scale 1:24



NOTE
Drawings may not be scaled.

The numerical dimensions represent correct measurements. (If not indicated, the precision of the dimensions by default is to 1")

All design ideas, drawings and plans represented here are owned by the property of AQART PROJECT, INC. All rights reserved. Above suggested electrical and plumbing locations, must be verified in field.



ART PROJECT

13728 Kendale Lakes Dr
www.aqartproject.com

**PROGRESS DRAWING
FOR APPROVAL**



CONTACT DESIGN TEAM

ISSUE
12/ 20/ 2022
RE - ISSUE
06/27/2023

SAMPLE

02
UUUU
E1 330000

OWNER

CN

PAGE NAME

ELEVATIONS

DESIGN BY

A. Quintero

DRAWN BY

A. Quintero

DESIGN CONCEPT

**ALL MEASUREMENTS
MUST BE
VERIFIED IN FIELD**

DISCARD ALL DRAWINGS THAT
WERE MADE ON THIS ITEM PRIOR
TO THE DATE BELOW:

06/27/2023

This drawing is not intended to be used
for contract pricing or fabrication
purposes.
All content is subject to change

A - 01

FOYER CABINETS