



3567
CONTINUUM SOUTH
 KITCHEN CABINETRY



ART PROJECT

13728 Kendale Lakes Dr
 www.aquartproject.com

**PROGRESS DRAWING
 FOR APPROVAL**



CONTACT DESIGN TEAM

ISSUE
 12/ 17/ 2024
 RE - ISSUE
 12/17/2024

DESIGN BY
 A. Quintero
 DRAWN BY
 A. Quintero
 OWNER
 JD
 PAGE NAME
 COVER PAGE

DESIGN CONCEPT

**ALL MEASUREMENTS
 MUST BE
 VERIFIED IN FIELD**

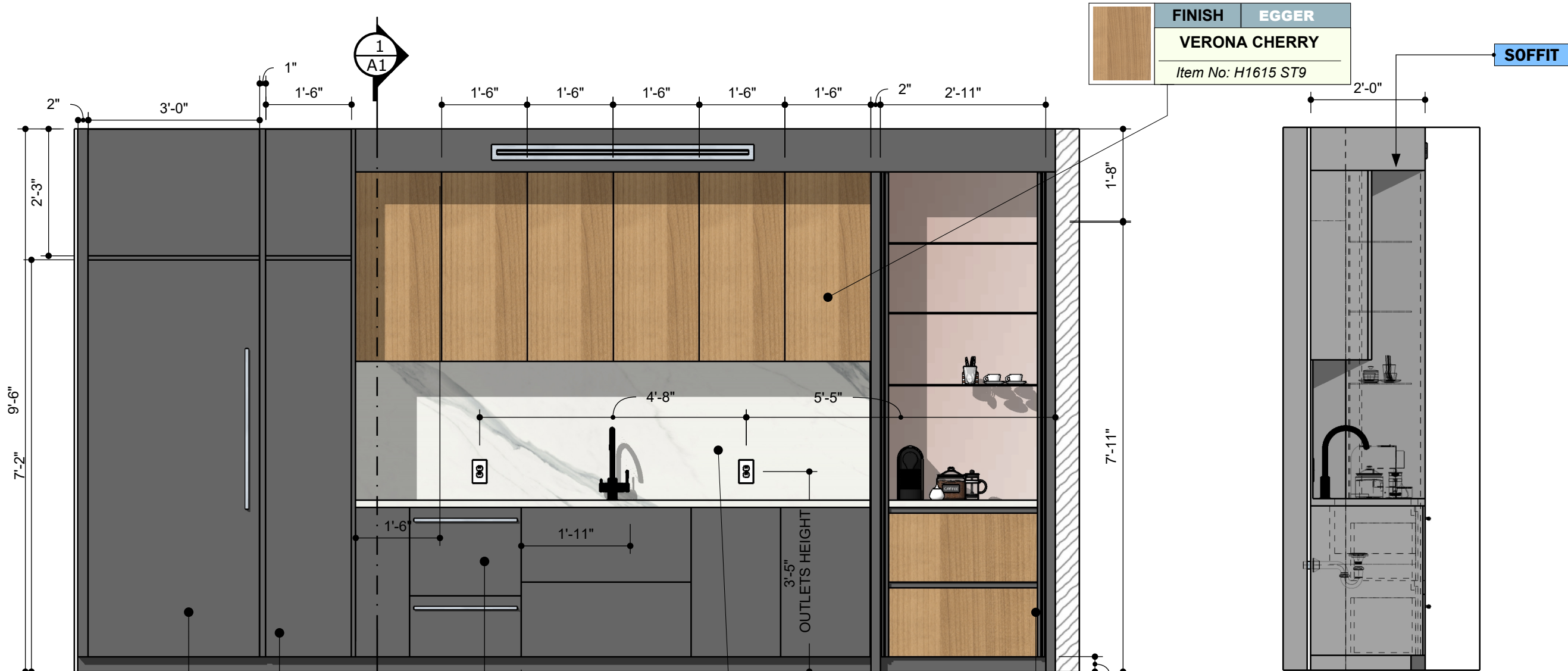
DISCARD ALL DRAWINGS THAT
 WERE MADE ON THIS ITEM PRIOR
 TO THE DATE BELOW:

12/17/2024

This drawing is not intended to be used
 for contract pricing or fabrication
 purposes.
 All content is subject to change

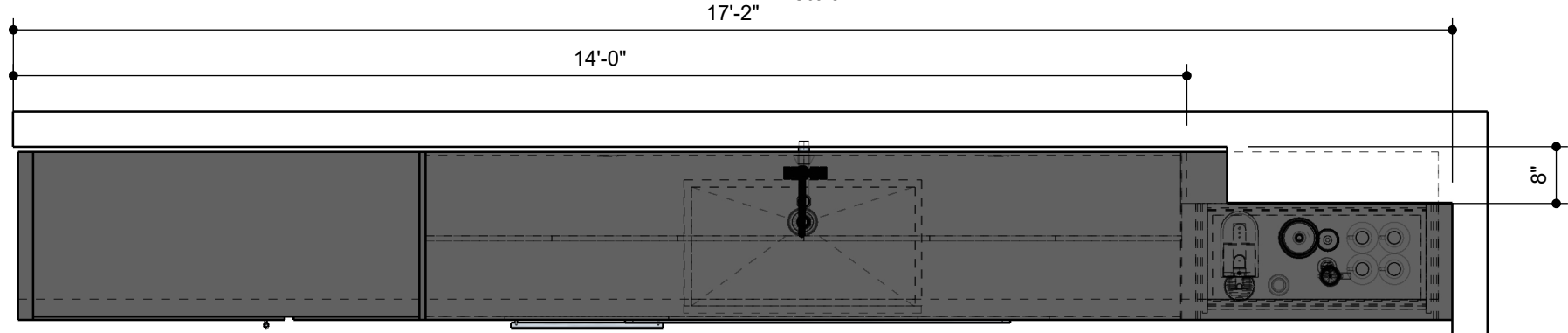
COVER PAGE

**KITCHEN
 CABINETRY**



FRONT VIEW
Scale 1:24

SIDE VIEW
Scale 1:24



TOP VIEW
Scale 1:24

ISLIMM TOUCHE SUPER BLANCO GRIS
 COUNTERTOP & BACKSPLASH : 40 ft²
 ISLAND: 70 ft²
 Tiles Needed: 3 Pieces
 Purchase 5% - 10% more (3 - 3 tiles) for cutting, waste, and possible future repairs.

Tile Size: Length inches

Width inches

Area to Cover: Use Dimensions Use Total Area

Total Area square feet

NOTE

Drawings may not be scaled.

The numerical dimensions represent correct measurements. (If not indicated, the precision of the dimensions by default is to 1")

All design ideas, drawings and plans represented here are owned by the property of AQART PROJECT, INC. All rights reserved. Above suggested electrical and plumbing locations, must be verified in field.



ART PROJECT
13728 Kendale Lakes Dr
www.aqartproject.com

**PROGRESS DRAWING
FOR APPROVAL**



CONTACT DESIGN TEAM

3567 CONTINUUM SOUTH
0000 F1, 33000

ISSUE
12/ 17/ 2024
RE - ISSUE
12/17/2024

DESIGN BY
A. Quintero
OWNER
JD
DRAWN BY
A. Quintero
PAGE NAME
CABINETS

DESIGN CONCEPT

**ALL MEASUREMENTS
MUST BE
VERIFIED IN FIELD**

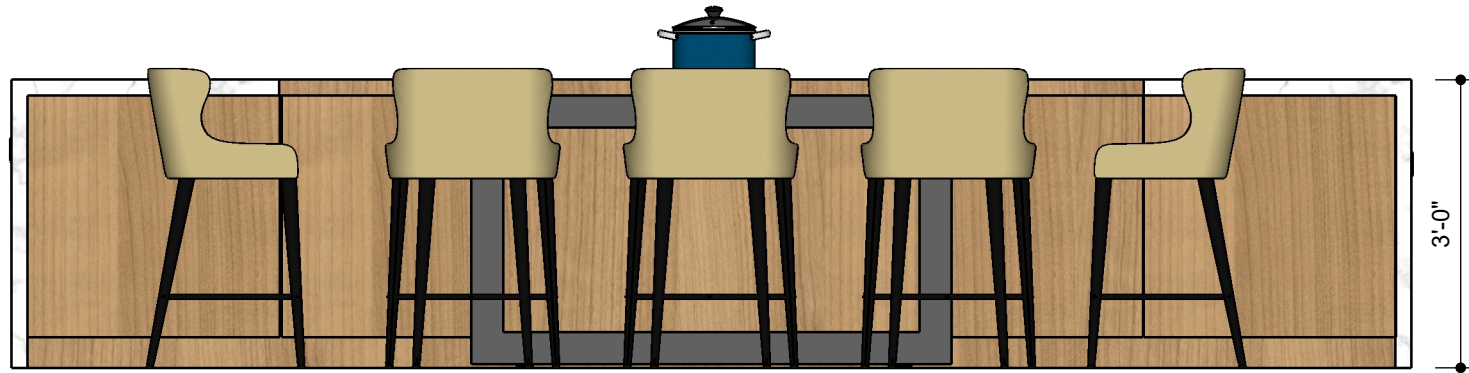
DISCARD ALL DRAWINGS THAT
WERE MADE ON THIS ITEM PRIOR
TO THE DATE BELOW:

12/17/2024

This drawing is not intended to be used
for contract pricing or fabrication
purposes.
All content is subject to change

A - 01

KITCHEN
CABINETS



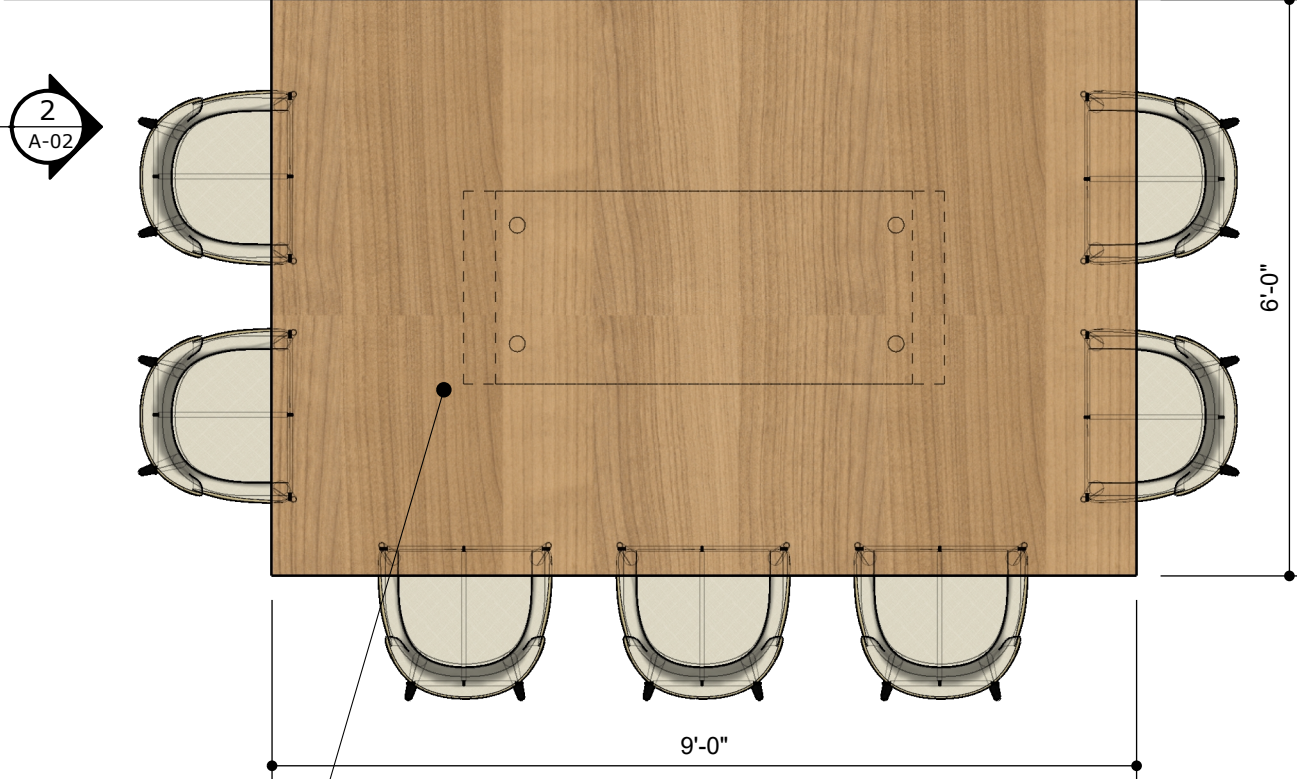
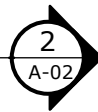
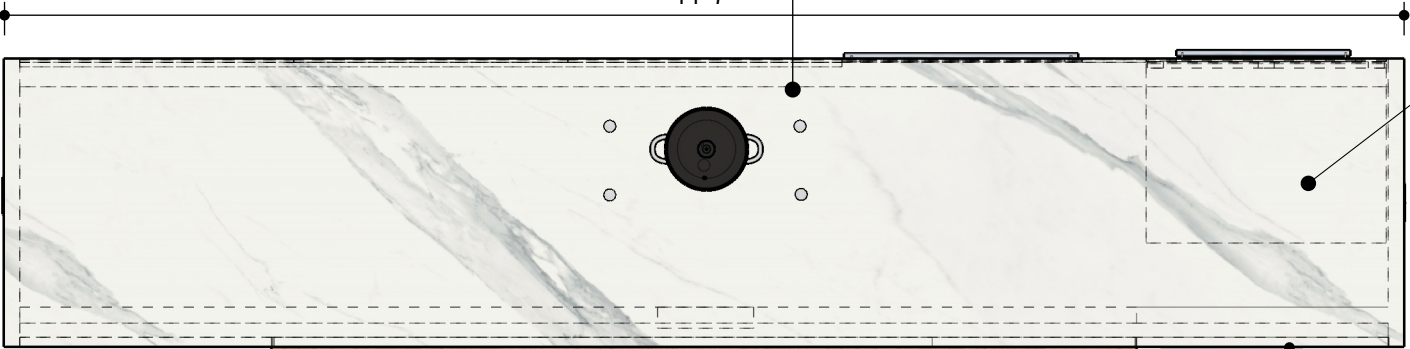
FRONT VIEW

Scale 1:24



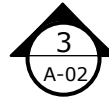
14'-7"

INVISIBLE INDUCTION



TOP VIEW

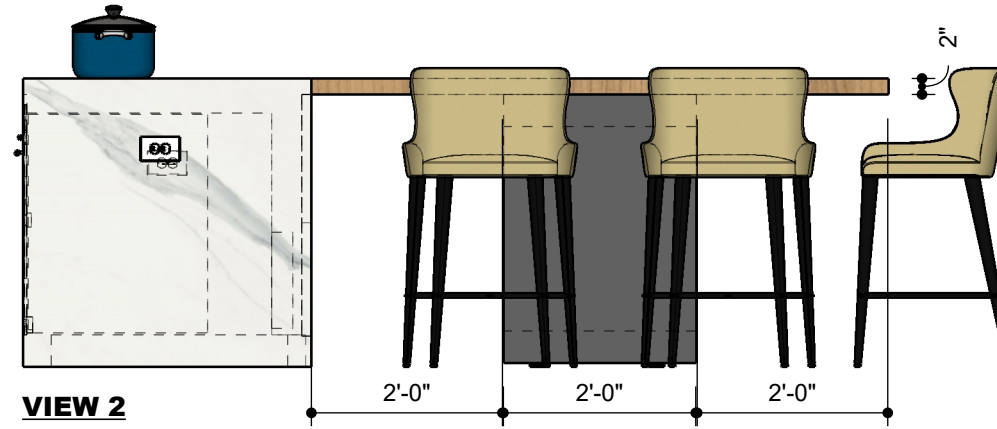
Scale 1:24



FINISH	EGGER
VERONA CHERRY	
Item No: H1615 ST9	

VIEW 3

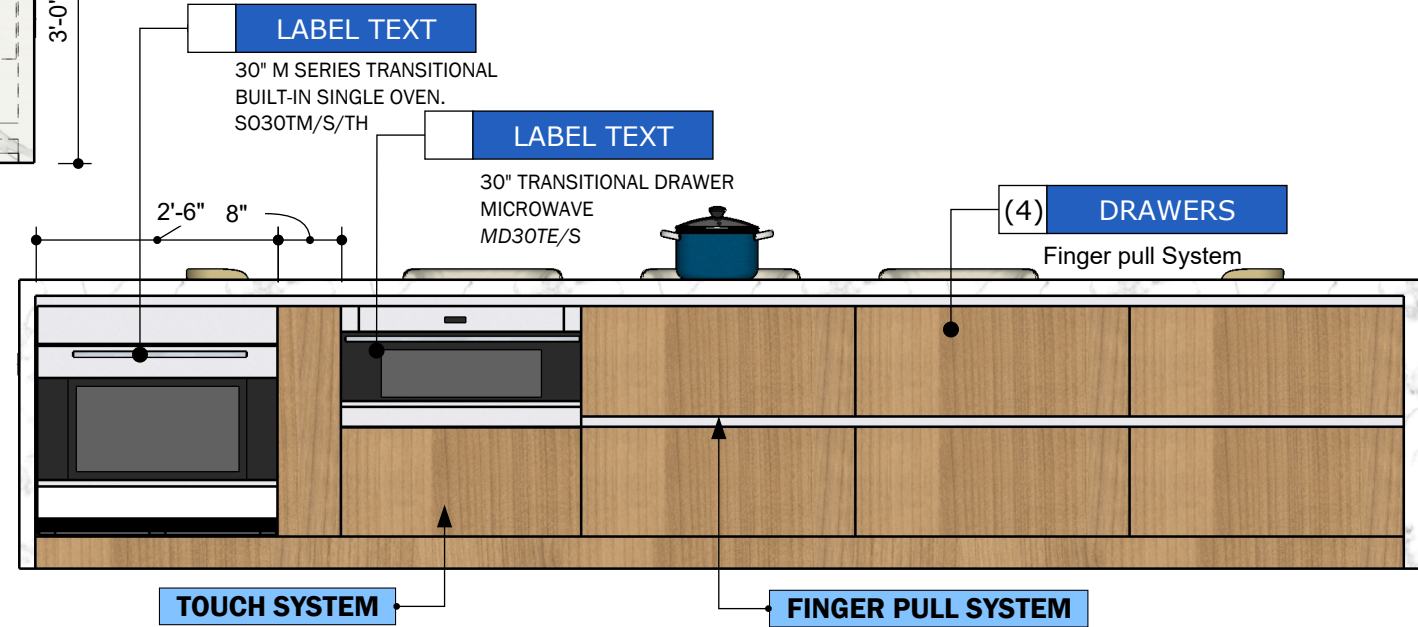
Scale 1:24



VIEW 2

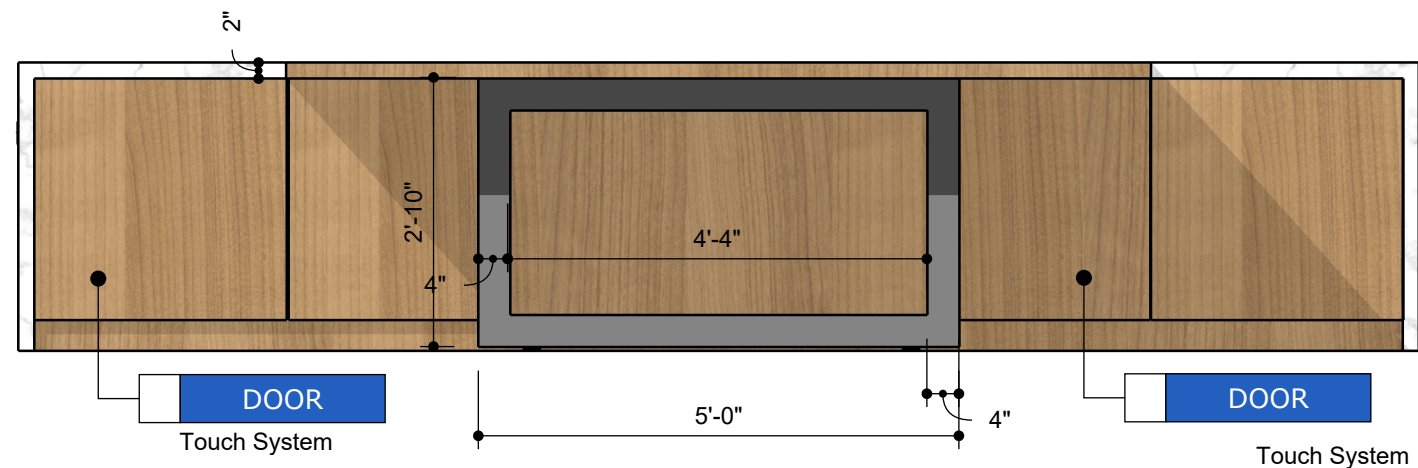
Scale 1:24

FINISH	Iberia Tiles
ISLIMM TOUCHE SUPER BLANCO GRIS	
59" X 126" X 1/2"	



VIEW 1

Scale 1:24



VIEW 3

Scale 1:24



ART PROJECT

13728 Kendale Lakes Dr
www.aquartproject.com

**PROGRESS DRAWING
FOR APPROVAL**



CONTACT DESIGN TEAM

3567 CONTINUUM SOUTH
0000 FI, 33000

ISSUE
12/17/2024
RE - ISSUE
12/17/2024

DESIGN BY
A. Quintero
OWNER
JD
DRAWN BY
A. Quintero
PAGE NAME
ISLAND

DESIGN CONCEPT

**ALL MEASUREMENTS
MUST BE
VERIFIED IN FIELD**

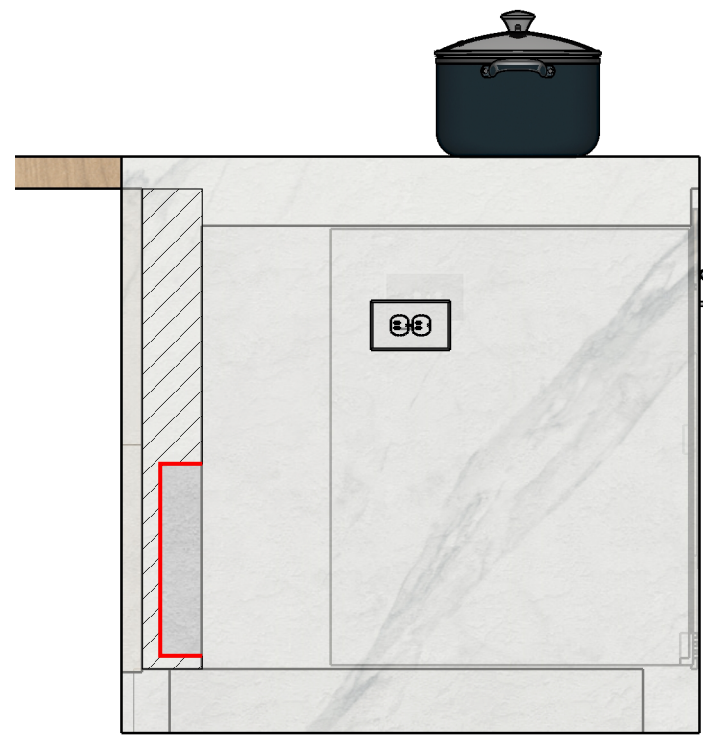
DISCARD ALL DRAWINGS THAT
WERE MADE ON THIS ITEM PRIOR
TO THE DATE BELOW:

12/17/2024

This drawing is not intended to be used
for contract pricing or fabrication
purposes.
All content is subject to change

A - 02

KITCHEN
CABINETRY



SIDE VIEW

2'-6" Scale 1:12

8"

2'-6"

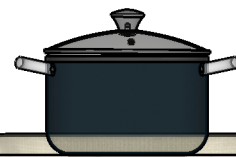
2'-10"

2'-10"

2'-10"

JUNCTION BOX

PLACE THIS BOX ON THE PARTITION. UNDER THE INDUCTION COOK (CENTER OF THE ISLAND)



1'-0"

1'-0"

5"

7'-3"

FRONT VIEW

Scale 1:12



ART PROJECT

13728 Kendale Lakes Dr
www.aquartproject.com

**PROGRESS DRAWING
FOR APPROVAL**



CONTACT DESIGN TEAM

3567 CONTINUUM SOUTH
0000 FI, 33000

ISSUE
12/ 17/ 2024
RE - ISSUE
12/17/2024

DESIGN BY
A. Quintero
DRAWN BY
A. Quintero
OWNER
JD
PAGE NAME
ISLAND J- BOX

DESIGN CONCEPT

**ALL MEASUREMENTS
MUST BE
VERIFIED IN FIELD**


DISCARD ALL DRAWINGS THAT
WERE MADE ON THIS ITEM PRIOR
TO THE DATE BELOW:

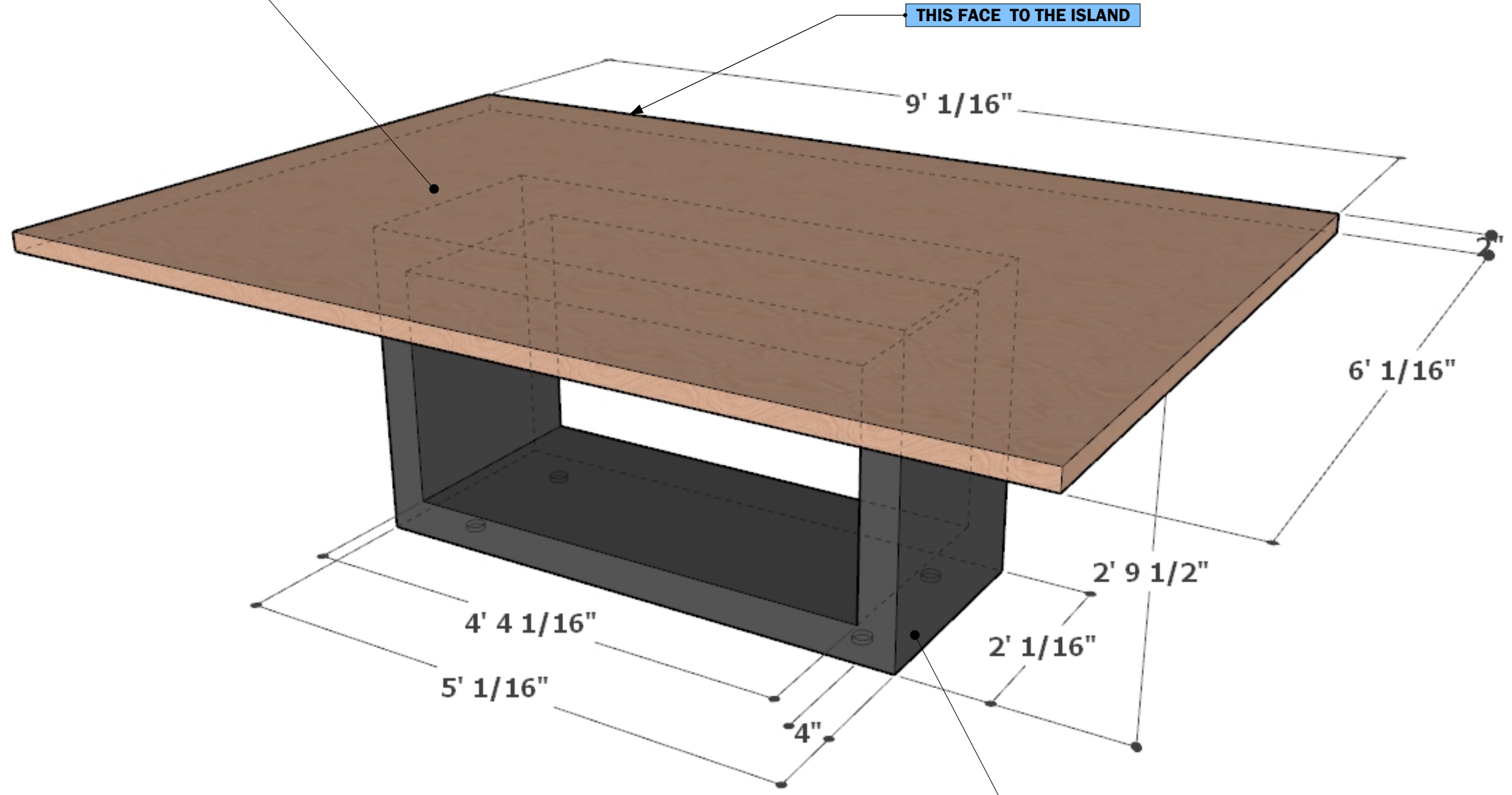
12/17/2024

This drawing is not intended to be used
for contract pricing or fabrication
purposes.
All content is subject to change

A - 03

KITCHEN
CABINETRY

	FINISH	EGGER
	VERONA CHERRY	
	Item No: H1615 ST9	



	FINISH	EGGER
	DIAMOND GRAY	
	Item No: U963 ST9	



ART PROJECT
 13728 Kendale Lakes Dr
 www.aquartproject.com

**PROGRESS DRAWING
 FOR APPROVAL**



CONTACT DESIGN TEAM

3567 CONTINUUM SOUTH
 0000 Fl, 33000

DESIGN BY	OWNER	ISSUE
A. Quintero	JD	12/ 17/ 2024
DRAWN BY	PAGE NAME	RE - ISSUE
A. Quintero	TABLE	12/17/2024

DESIGN CONCEPT

**ALL MEASUREMENTS
 MUST BE
 VERIFIED IN FIELD**

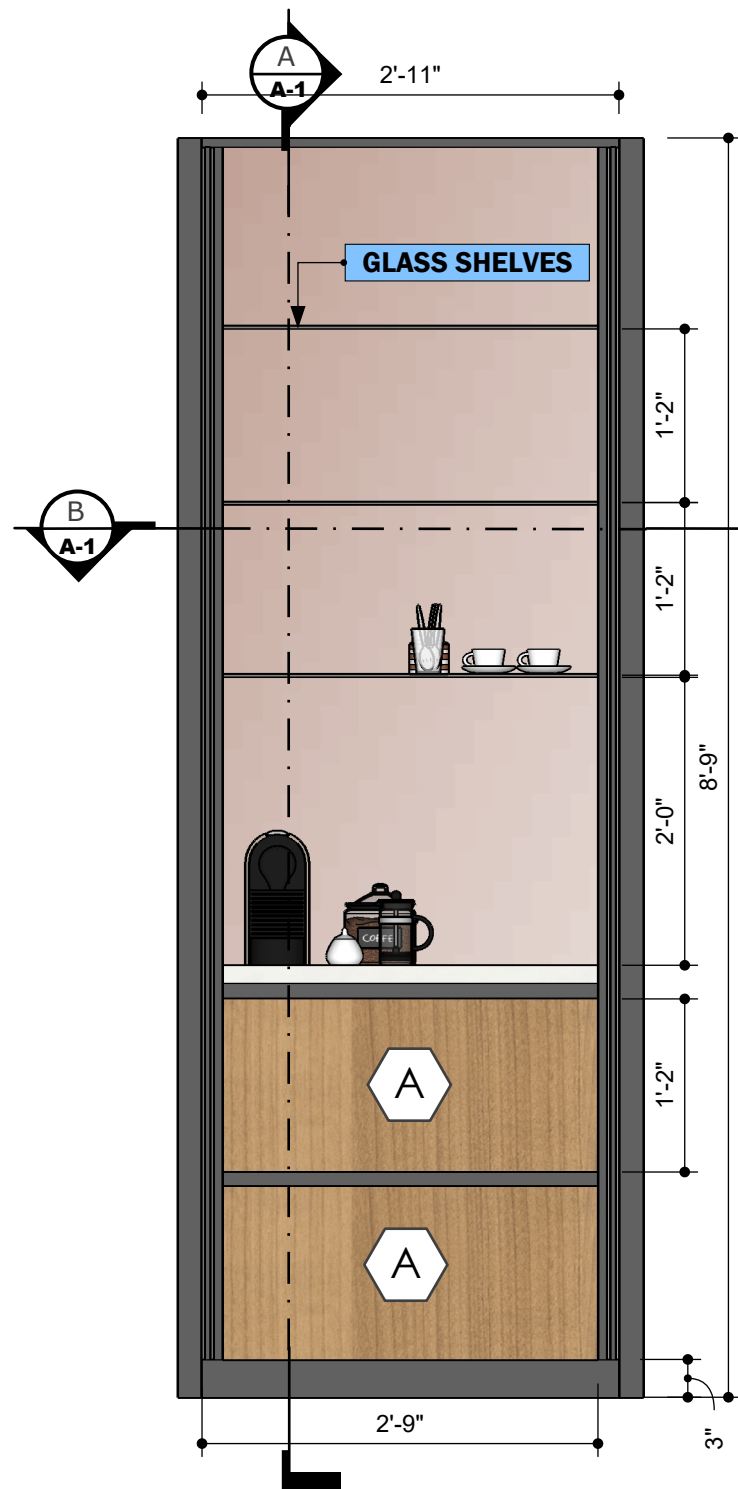
DISCARD ALL DRAWINGS THAT
 WERE MADE ON THIS ITEM PRIOR
 TO THE DATE BELOW:

12/17/2024

This drawing is not intended to be used
 for contract pricing or fabrication
 purposes.
 All content is subject to change

A - 04

KITCHEN
 CABINETRY

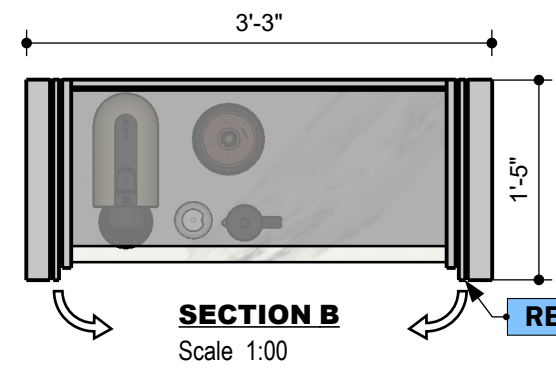


LED LINE

GLASS SHELVES

SECTION A
Scale 1:00

A DRAWERS



SECTION B
Scale 1:00

RETRACTABLE DOORS

GLASS SHELVES

FINISH	SELLER
BRONZE MIRROR	
Item No:	

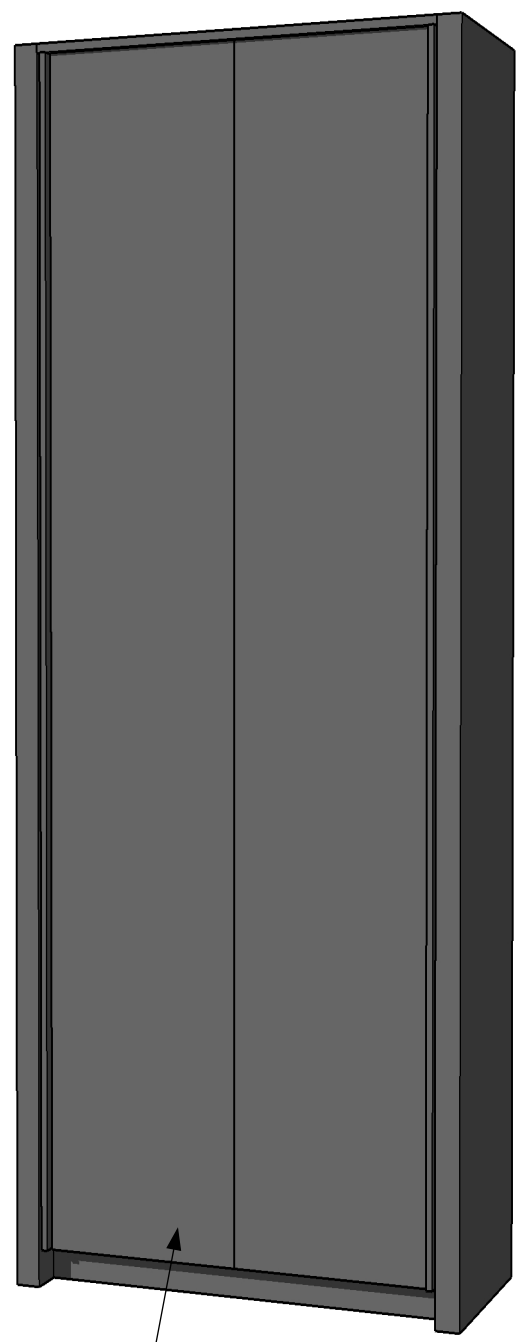
FINISH	Iberia Tiles
ISLIMM TOUCHE SUPER BLANCO GRIS	
59" X 126" X 1/2"	

FINISH	EGGER
DIAMOND GRAY	
Item No: U963 ST9	

PERSPECTIVE VIEW
Not Scaled

FINISH	EGGER
VERONA CHERRY	
Item No: H1615 ST9	

RETRACTABLE DOORS



ART PROJECT
13728 Kendale Lakes Dr
www.aqartproject.com

PROGRESS DRAWING FOR APPROVAL



CONTACT DESIGN TEAM

3567 CONTINUUM SOUTH
0000 FI, 33000

DESIGN BY	OWNER	ISSUE
A. Quintero <td>JD <td>12/ 17/ 2024</td> </td>	JD <td>12/ 17/ 2024</td>	12/ 17/ 2024
DRAWN BY	PAGE NAME	RE - ISSUE
A. Quintero	COFFEE STATION	12/17/2024

DESIGN CONCEPT

ALL MEASUREMENTS MUST BE VERIFIED IN FIELD

DISCARD ALL DRAWINGS THAT WERE MADE ON THIS ITEM PRIOR TO THE DATE BELOW:

12/17/2024

This drawing is not intended to be used for contract pricing or fabrication purposes. All content is subject to change

A - 05

KITCHEN CABINETRY

NOTE
Drawings may not be scaled.
The numerical dimensions represent correct measurements. (If not indicated, the precision of the dimensions by default is to 1")
All design ideas, drawings and plans represented here are owned by the property of AQART PROJECT, INC. All rights reserved. Above suggested electrical and plumbing locations, must be verified in field.